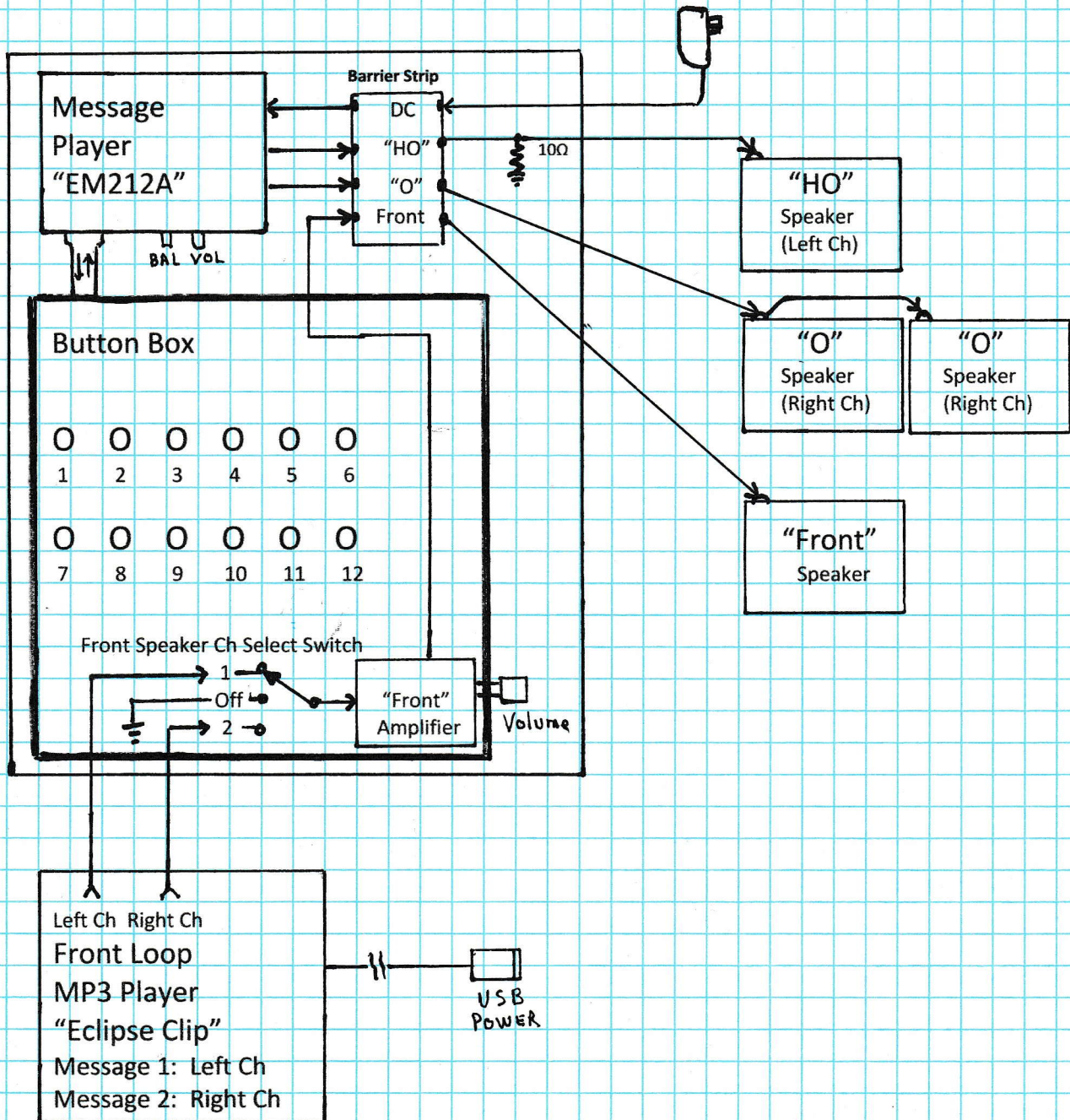


NEVADA SOUTHERN RAILROAD MUSEUM

Message Player Diagram: Model Railroad

January 29, 2022



Ed Cushman
702-271-7196