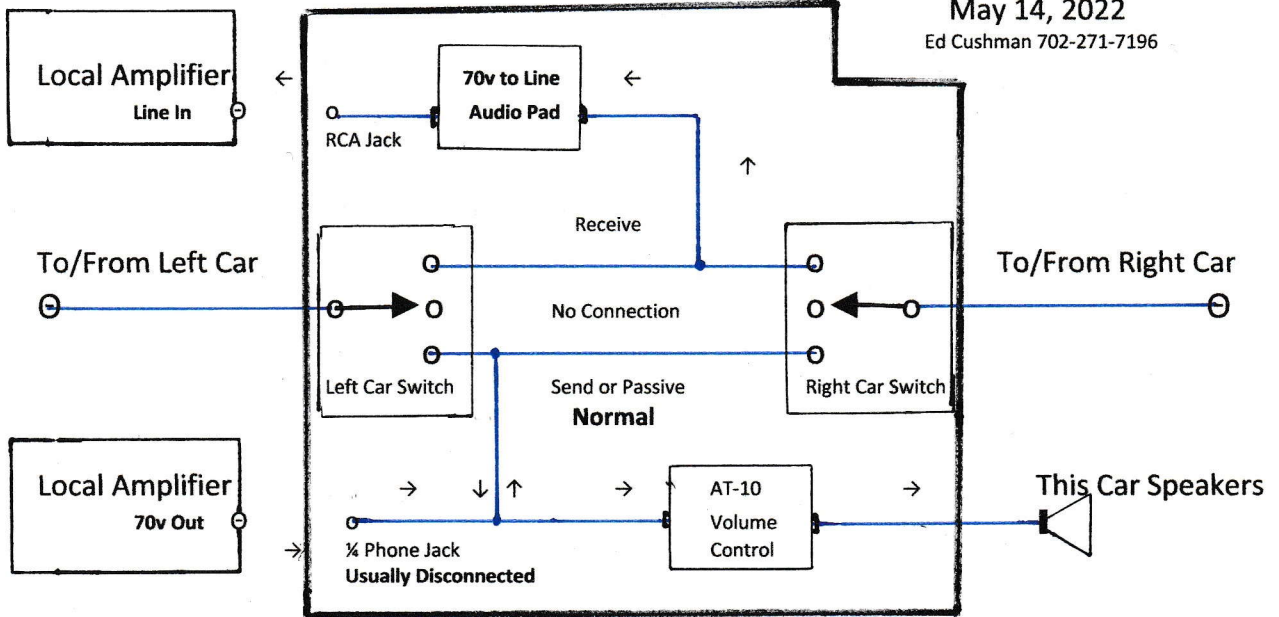


NEVADA STATE RAILROAD MUSEUM "Train Sound System Configuration Box" Block Diagram

May 14, 2022
Ed Cushman 702-271-7196



NEVADA STATE RAILROAD MUSEUM "Train Sound System Configuration Box" Block Diagram

May 14, 2022
Ed Cushman 702-271-7196

